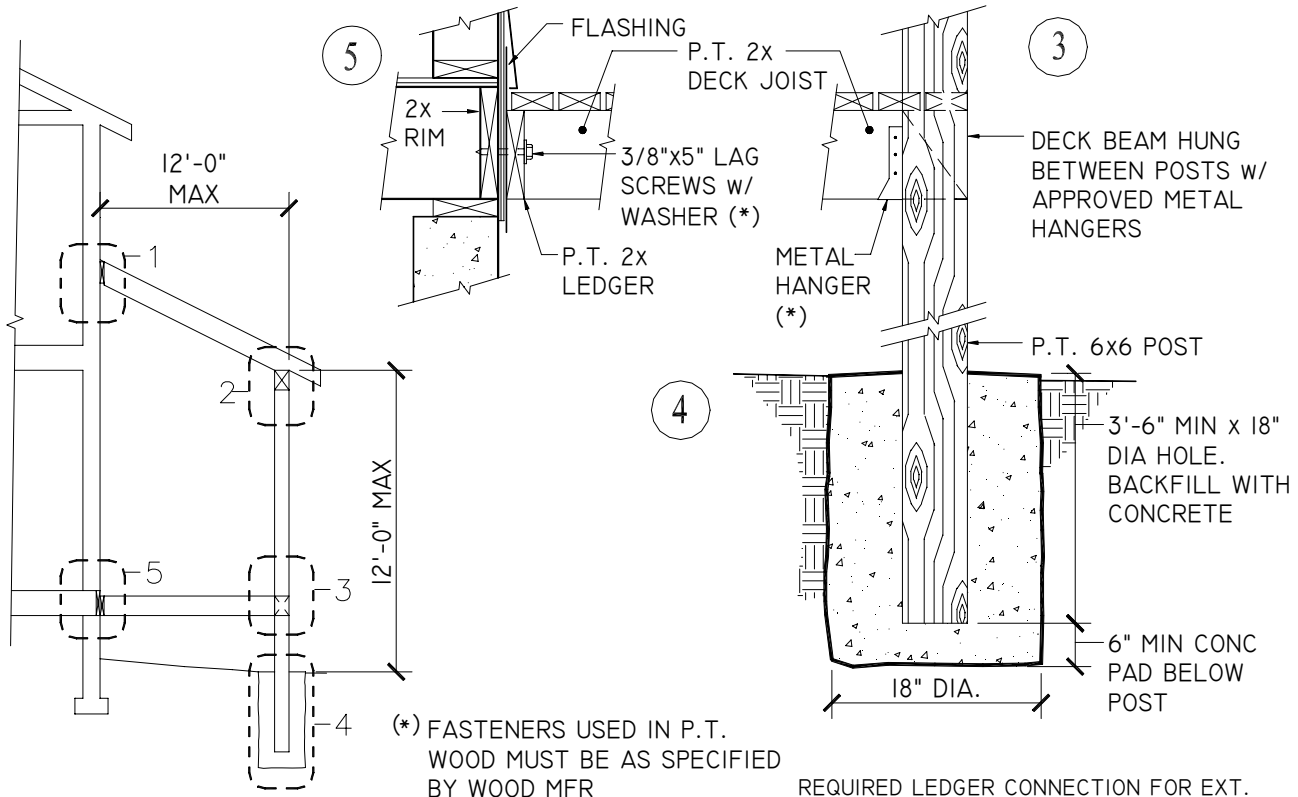


**TC Figure 21 Porch Construction**



REQUIRED LEDGER CONNECTION FOR EXT. DECKS USING MIN 3/8x5" LAG SCREWS w/ WASHERS

		JOIST SPAN			
		6'	8'	10'	12'
SPACING OF LAG SCREWS	12"	2 SCREWS	2 SCREWS	2 SCREWS	3 SCREWS
	16"	2 SCREWS	3 SCREWS	3 SCREWS	4 SCREWS
	24"	4 SCREWS	4 SCREWS	4 SCREWS	6 SCREWS

REQUIRED LEDGER CONNECTION FOR COVERED PORCH USING MIN 16d COMMON NAILS

		RAFTER SPAN			
		6'	8'	10'	12'
NAIL SPACING	12"	2 NAILS	2 NAILS	3 NAILS	3 NAILS
	16"	2 NAILS	3 NAILS	3 NAILS	3 NAILS
	24"	4 NAILS	4 NAILS	4 NAILS	4 NAILS

LAGS INTO MANUFACTURED LUMBER MUST HAVE APPROVAL DOCUMENTATION OR HAVE SOLID WOOD RIM BACKING w/ PENETRATING LAG SCREWS

