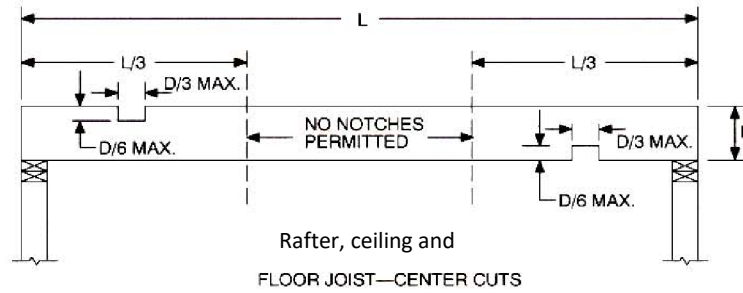
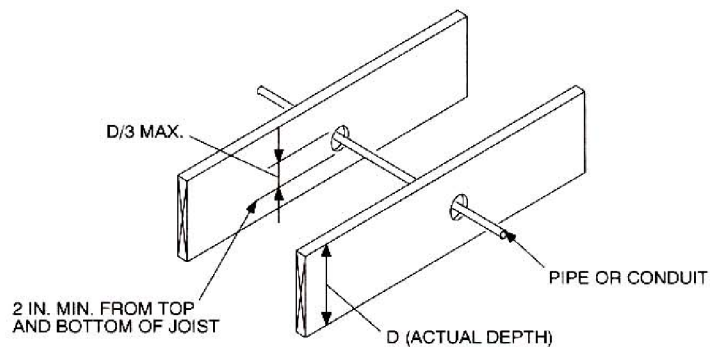


TC Figure 11 Cutting & Notching Floor Joists



For rafter cantilever and tails refer to the code.



For SI: 1 inch = 25.4 mm.

**FIGURE R502.8
CUTTING, NOTCHING AND DRILLING**