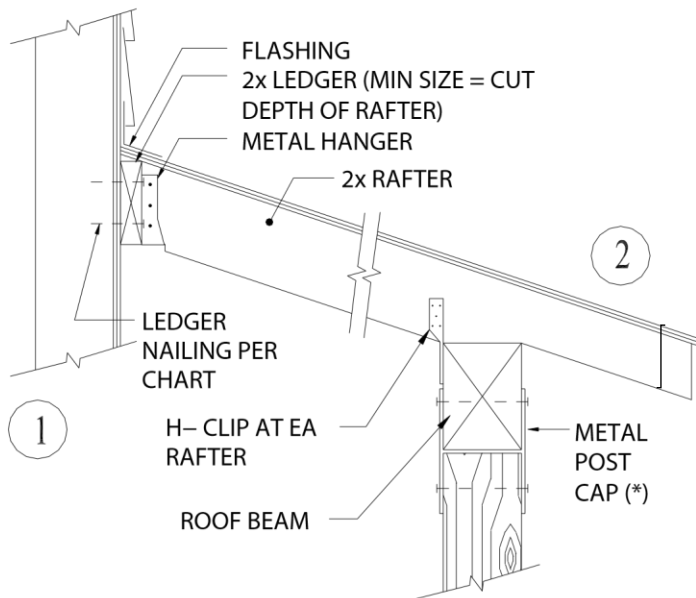
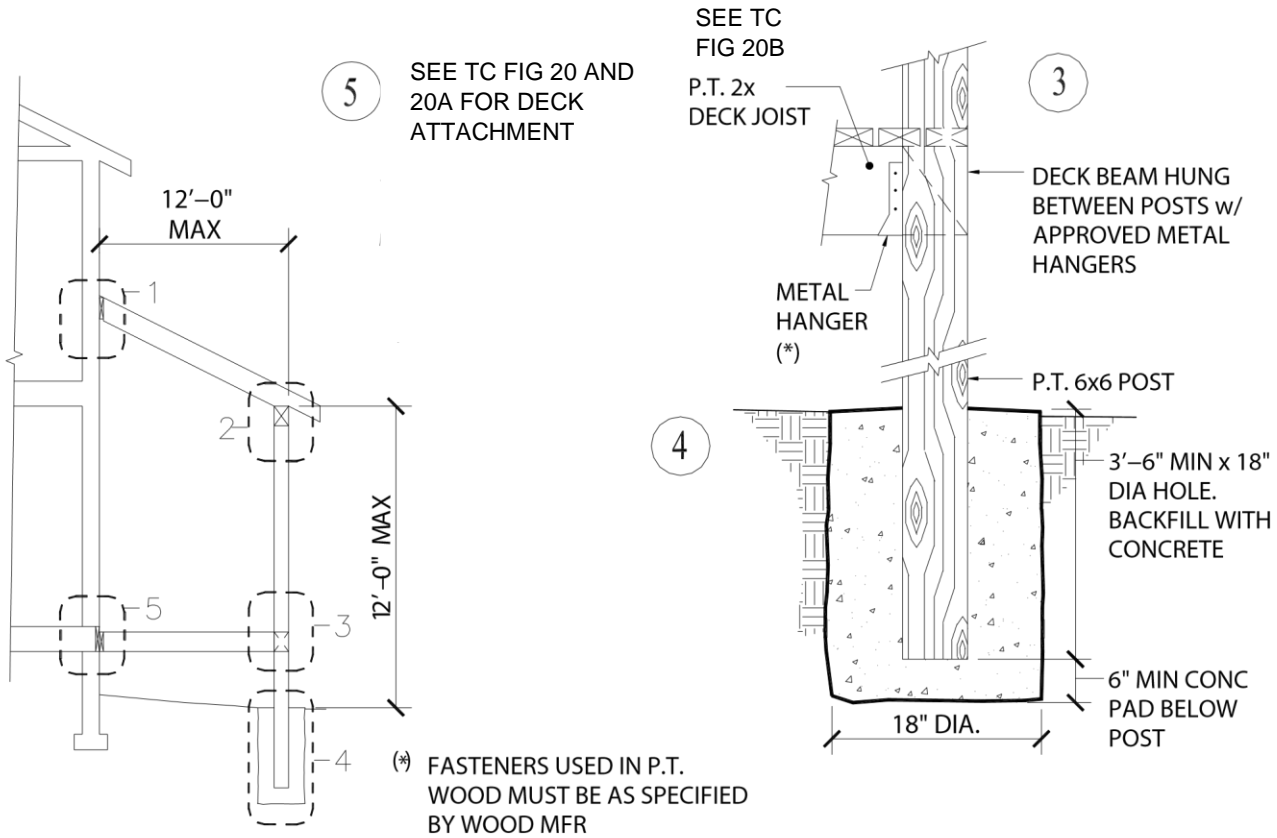


**TC Figure 21 Porch Construction**



REQUIRED LEDGER CONNECTION FOR COVERED PORCH USING MIN 16d COMMON NAILS

	RAFTER SPAN	6'	8'	10'	12'
NAIL SPACING	12"	2 NAILS	2 NAILS	3 NAILS	3 NAILS
	16"	2 NAILS	3 NAILS	3 NAILS	3 NAILS
	24"	4 NAILS	4 NAILS	4 NAILS	4 NAILS

LAGS INTO MANUFACTURED LUMBER MUST HAVE APPROVAL DOCUMENTATION OR HAVE SOLID WOOD RIM BACKING w/ PENET RATING LAG SCREWS